

# Banana Plug - Uninsulated Panel Mount Screw Type, Nickel Silver Spring

## SPECIFICATIONS

**Plug Body:** Brass per QQ-B-626D

**Plug Spring:** Nickel silver per QQ-C-585

**Finish:** Silver

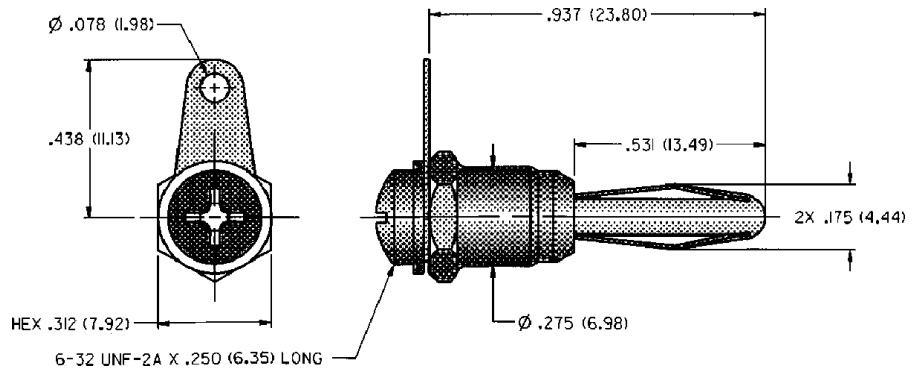
**Panel Thickness:** Up to .125 (3.20)

**Hardware:** Nickel plated screw,  
stamped tin plated solder  
terminal (unassembled)

## RATINGS

**Current:** 15 amps

**Contact Resistance:** 0.010 ohms maximum



**NICKEL PLATING**

108-0753-001

For Standard Banana Jack:  $.166$  (4.23) Diameter

## FEATURES:

- Rugged screw type
- Stamped tin plated solder terminal with hole for up to 14 gauge wire